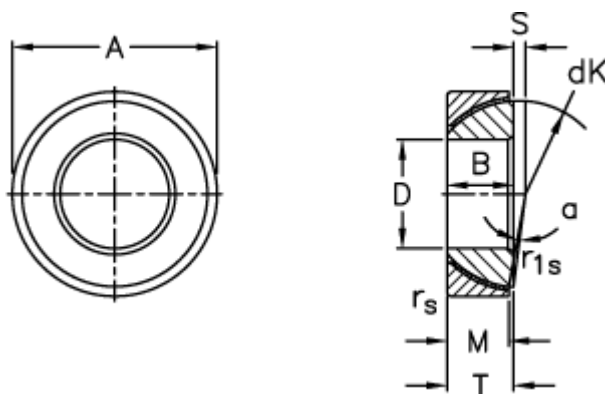


Article number: 03510055

Description: Fluro Rod end GE 55SW

Measures



A	= 90 0 -0,018	Static load C0 (kN)	= 600
B	= 23	T	= 23 +0,25 -0,50
D	= 55 0 -0,015	Tilt angle	= 4
dK	= 82	Weight	= 645
Dynamic load C (kN)	= 300		
M	= 20		
rs, r1s min	= 1.1		
S	= 5		